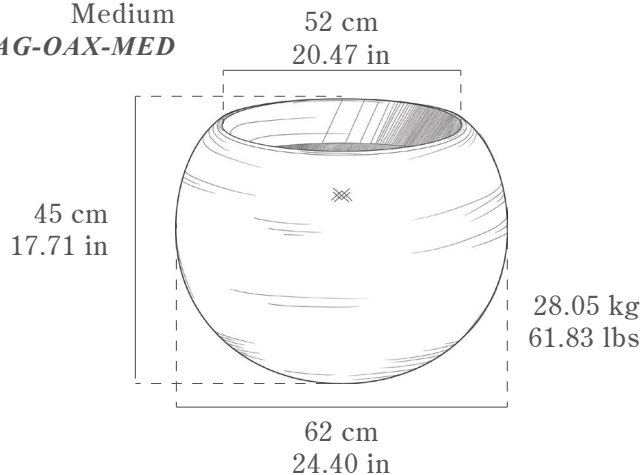
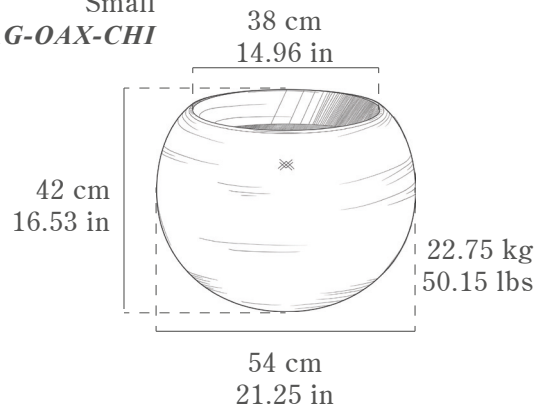


Medium
BAG-OAX-MED



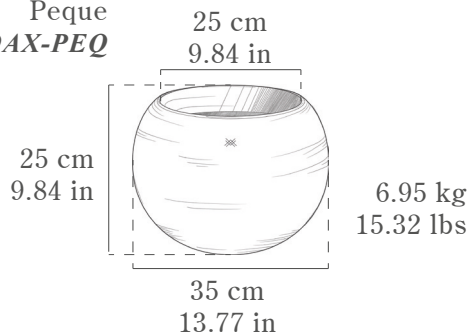
Small
BAG-OAX-CHI



**Saucer not included*

**Saucer not included*

Peque
BAC-OAX-PEQ



**Flat saucer included*